

**EXC-W72CBL Multi-pixel LED Wall Washer**



Application Environment:  
Indoor  
Outdoor

**Description**

**EXC-W72CBL full color series** are high power outdoor landscape LED wall washer with high strength aluminum alloy housing by EXC-LED. EXC-W72CBL can be used for accent lighting or flood lighting, such as building facade, bridge, stage, etc. Customized lighting fixture length available.

**Features**

- The newest generation technology: DMX512 parallel bus design
- Patented comb-like convection design ensure better heat dissipation
- Low thermal resistance path heat dissipation design
- Design of unique waterproof and ventilation
- Outdoor lighting protection and electrostatic discharge (ESD) protection design
- Projection distance: 5-7m

**Basic Specifications**

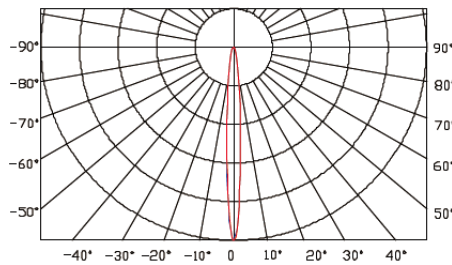
Color Range	RGBW, RGB, W(2200K-6500K)
Light Source	72(White), 48(RGB, RGBW) pcs LEDs
Working Voltage	DC 24V
Max. Power Consumption	72W(white, RGB, RGBW)
Control	DMX512, ON/OFF
Segment	1
Grey Scale	8bit, 16bit
Source Life	50,000 h
RDM	Optional
LED chip Brand	Optional(Cree, OSRAM, Lumileds, Epistar, etc...)
Housing	High Strength Aluminum
Cover	Tempered glass
Weight	4.62KG
Working Temperature	-40°C to 60°C
Storage Temperature	-40°C to 70°C

Protection Rating	IP66
Efficiency flux	70LM/W(white), 25LM/W(RGB), 35LM/W(RGBW)
Beam Angle	3030/3535: (12*22°, 10°, 17°, 16*50°, 20*40°, 30°, 45°, 60°) CREE 5050: (17°, 30°, 45°, 60°, 16*50°, 20*40°) 3030 RGB: (17°, 16*50°, 25°, 40°, 60°) and other beam angle available

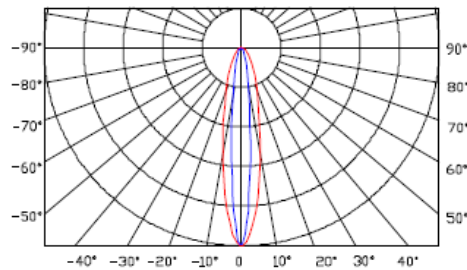
Host Controller	EXC-5200
Slave Controller	EXC-2905T1
Signal Cable	EXC-LED outdoor special cable

**Light Intensity Distribution**

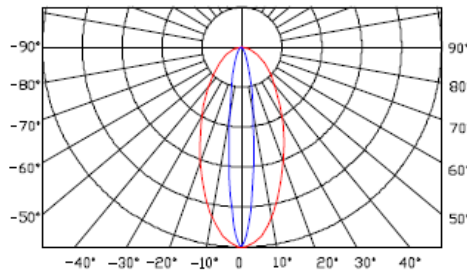
**Light Intensity Chart**



— C0/180 10°  
— C90/270 10°



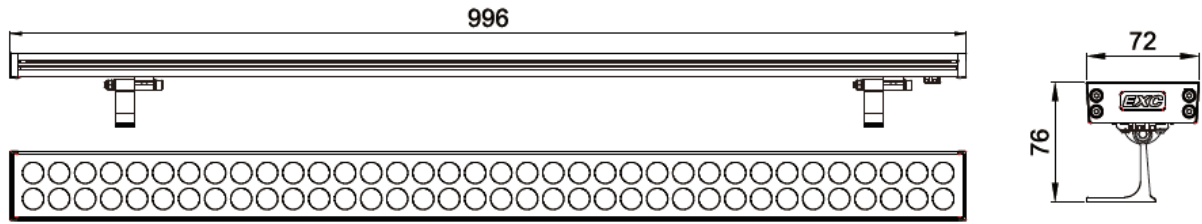
— C0/180 22°  
— C90/270 12°



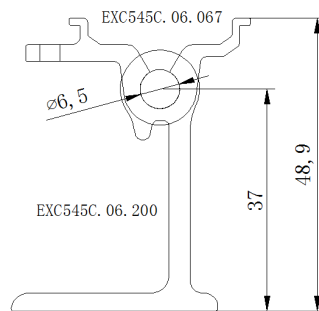
— C0/180 30°  
— C90/270 16°

**Physical Dimension**

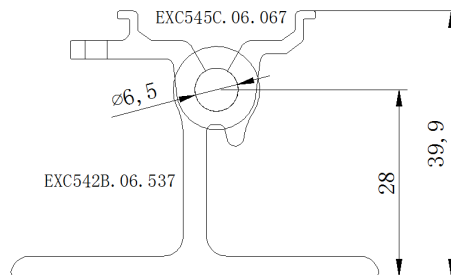
Unit: mm



**Mounting Accessories 1:**



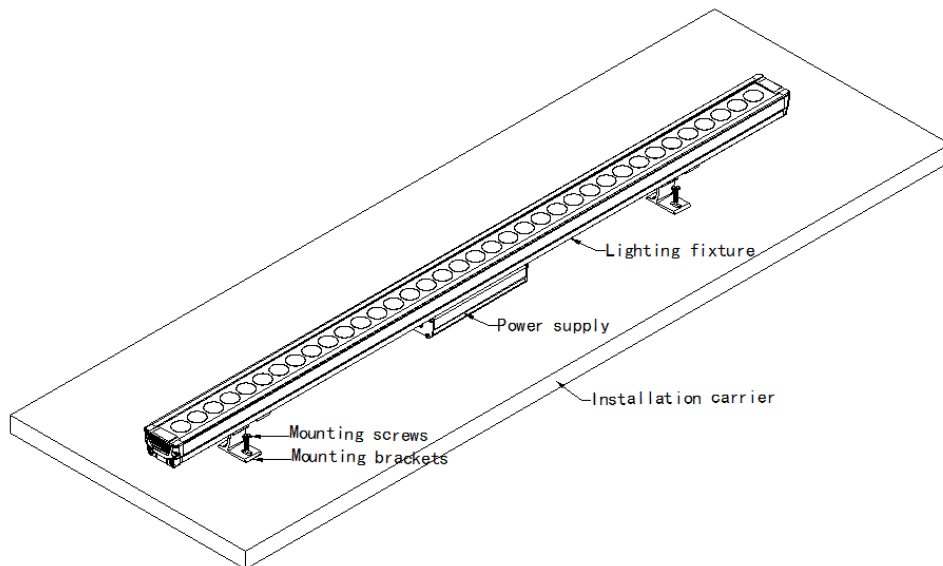
**Mounting Accessories 2:**



## Installation Diagram

Step 1: Use M6 expansion screw and fix the mounting seat to the required position as shown. And specific spacing according to lamp length requirements.

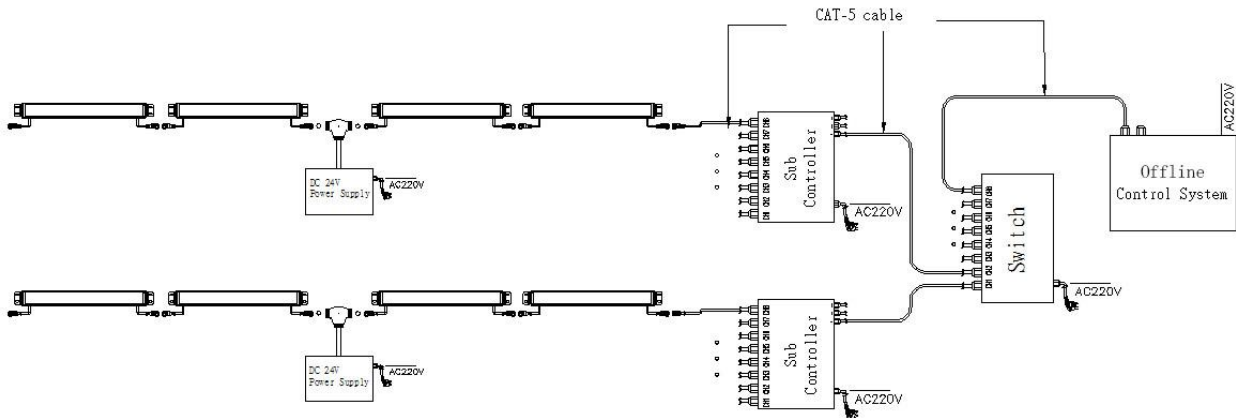
Step2: Fix the screws.



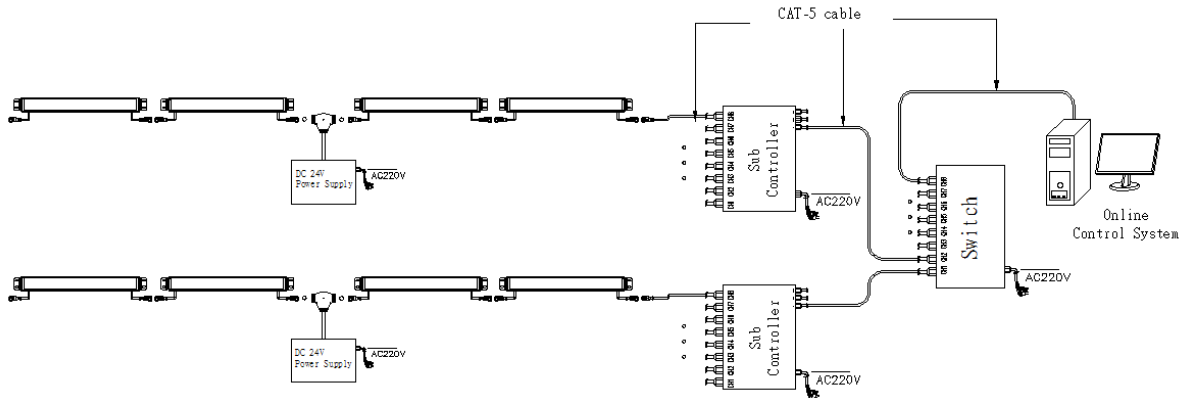
## System connection diagram:

- 1、 Host controller should connect with slave controller. Working voltage for controllers are AC220V.
- 2、 On-line main controller should connect with slave controller, on-line main controller and sub controller working voltage are AC220V.
- 3、 each sub-controller with 8 ports, with each port 512 pixels, supporting data converter, supports 100 meters ultra-long haul transmission.
- 4、 The CAT-5 e. cable distance should be within 100 meters between host controller and slave controller, between slave controllers and switch, etc.

### Offline Controlling System Diagram



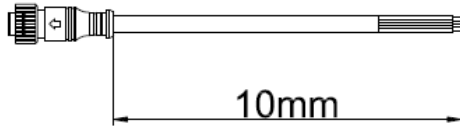
### Online Controlling System Diagram



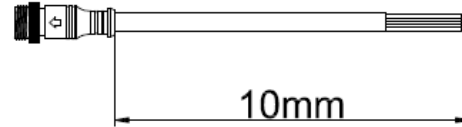
**Accessories :**

**1: Female and Male Connector( Connect to first dot light for signal transmission)**

Female Connector

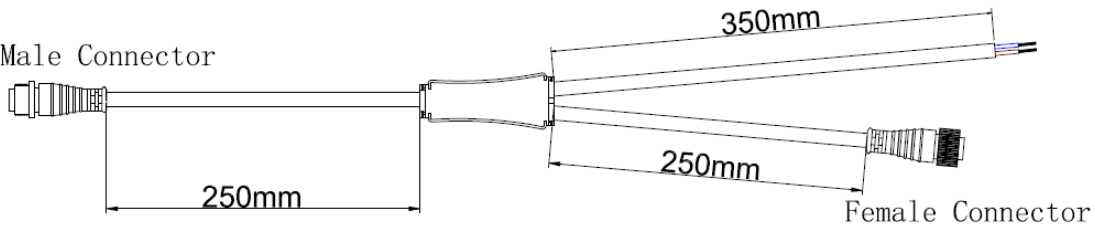


Male Connector



**2: Y Shape Connector(For power Distribution)**

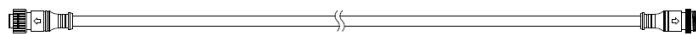
Male Connector



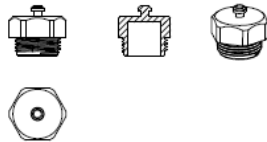
**3: Interconnection Cable(1.3M,3M,5M is standard length)**

Female Connector

Male Connector



**4: End Cap**



Male Connector



Male Connector